

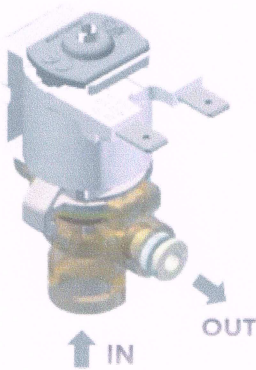
UK Distributor: **Beta Valve Systems Ltd**

Park House Business Centre
Desborough Park Road
High Wycombe
Bucks
HP12 3DJ

01494 459 511

www.BetaValve.com

Steam Series



Physical specifications:

- Valve body: PPSU / PPS
- Diaphragm: EPDM
- Gasket: EPDM
- Core: Stainless steel
- Coils: F class (155°)
- Spring: Stainless steel
- Assembly: Bayonet

Working specifications:

- Working pressure: Max 15 bar
- Back-pressure: Max 8 bar
- Room temperature: Tu 60° C
- Fluid temperature: Tm 140° C – ED 50%
- Orifice: ND 2 mm
- Control: NC
- Fluid direction: Unidirectional

Models

Model	IN	OUT	Orifice Ø	Working pressure	Room temp.	Fluid temp.	Voltage	Certifications
V 02	1/8" M	Hose tail 5 mm	2 mm	0 – 5 bar	60° C	140° C	24V DC, 230V AC	CSV, CE, NSF
V 2002240RM4	Fork	Roemer 4 mm	2 mm	0 – 12 bar	60° C	140° C	24V DC	CE, NSF
V 2002260RM66	Roemer 6 mm	Roemer 6 mm	2 mm	0 – 12 bar	60° C	140° C	24V DC	CE, NSF
V 21A2240RM4	Fork	Roemer 4 mm	2 mm	0 – 12 bar	60° C	140° C	24V DC	CE, NSF
V 22A2260RM6	2 Roemer 6 mm	Fork	2 mm	0 – 15 bar	60° C	140° C		CE

Product specifications

1. Pressure relief valve

- The solenoid valve can be calibrated as a pressure relief valve. For example, to 18 bar opens automatically.



5. Quick connections

- The solenoid valve is equipped with quick connections (ROEMER).

2. PPSU

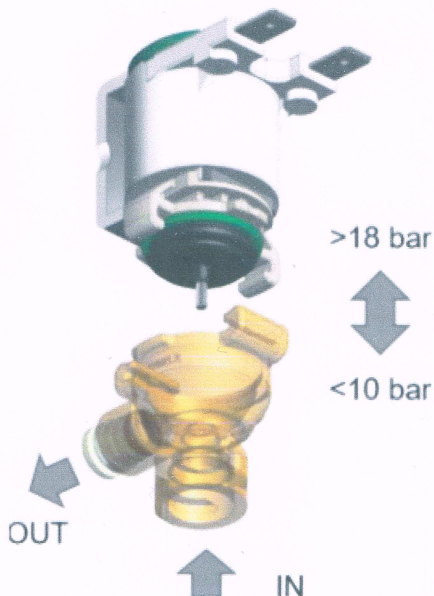
- The Steam Series valve is made entirely of engineering plastics (PPSU), NSF certified.

3. Self-cleaning system

- RPE patented. The valve works with a needle closing. At each activation the needle cleans the orifice.

4. Separation of fluids

- Thanks to the diaphragm, the fluid doesn't enter into the working chamber of the core.

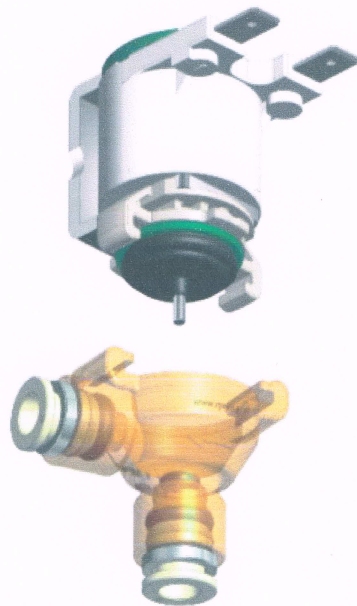


1. Pressure relief valve

- The solenoid valve can be calibrated as a pressure relief valve. For example, to 18 bar opens automatically.

- The valve closes again to below a predetermined value of pressure.

Steam Series

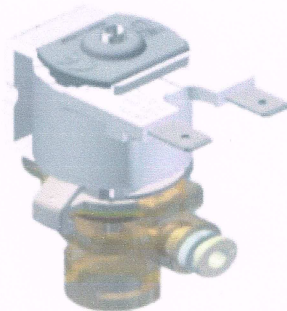


2. PPSU

- The body is made in PPSU.

5. Quick connections

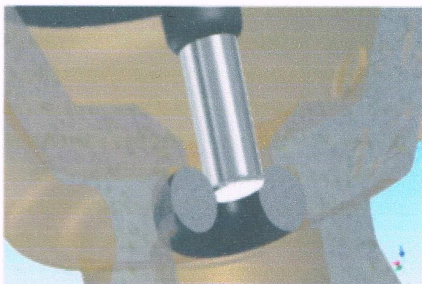
- Besides the classic hose tail connections, they are made versions with quick connections Roemer (4 – 6 mm) and fork.
- The bayonet assembly of the coil allows a high level of inspection without use of screwdriver.



3. Self-cleaning system

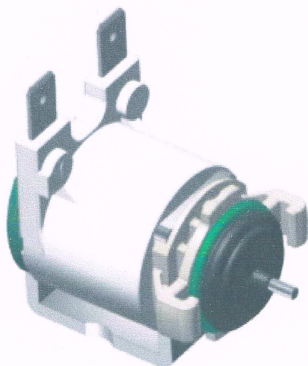
RPE patented,

- the valve works with a needle closing. At each activation the needle cleans the orifice.
- In case of scale deposit, the needle shatters it with its movement, protecting the hydraulic seal.



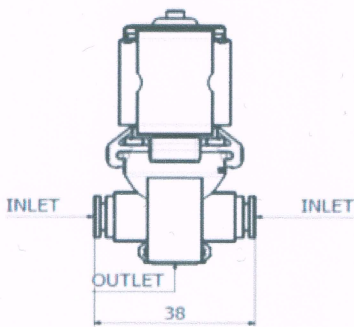
Steam Series

4. Separation of fluids



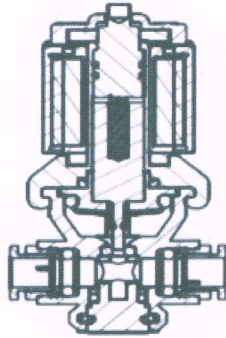
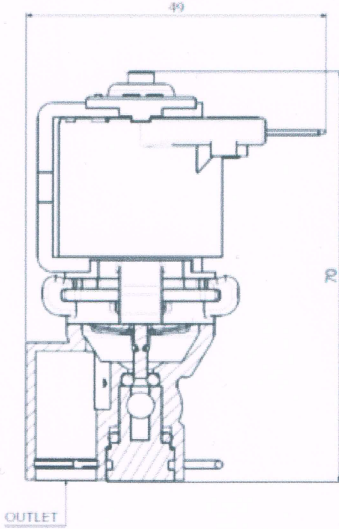
- Thanks to the diaphragm, the fluid doesn't enter into the working chamber of the core.
- This system ensures total sanitization of wet areas.

Steam Series 3/2



2 Inlet – 1 Outlet
2 functions: Opened
Closed

Outlet at 90° compared to the Inlet.



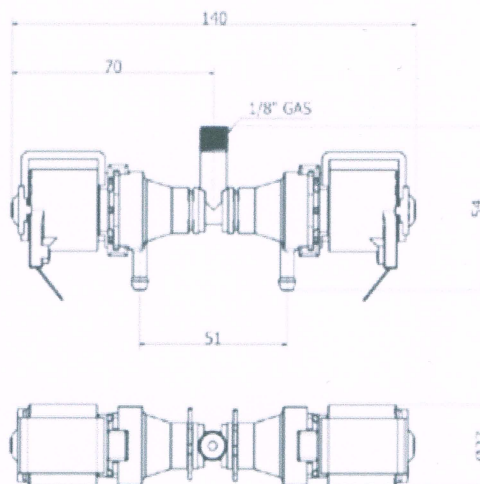
Assembled by connecting the Inlets

Steam Series N.2 2/2

1 Central Inlet
2 Outlet Hose tail
2 functions:
Opened/Closed
2 valves

2 valves coupled, with
the same Inlet, through
a T-fitting.

Valves operation is
independent.



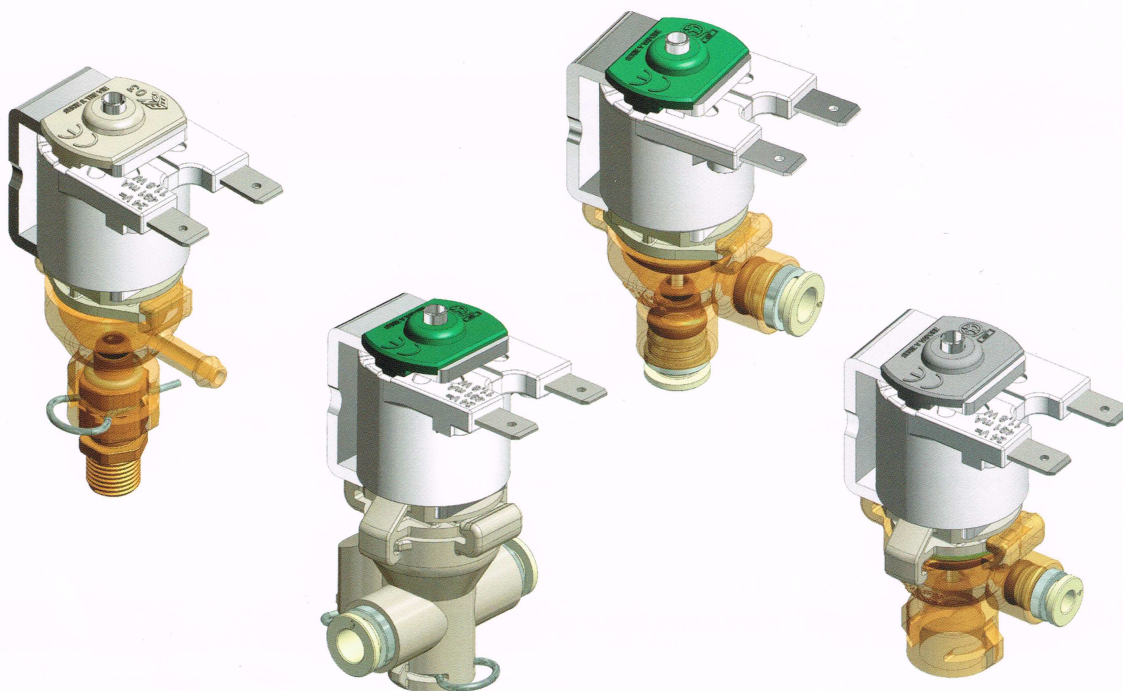
Solenoids

Tensione (Voltage)	Frequenza (Frequency)	Potenza (Power)		Assorbimento (Consumption)		cosφ	ED (funzionamento) (duty cycle)	Conessioni (Connections)		Approvazioni (Approvals)	Controllo (Control)	
		Potenza mantenim. (Holding Power)	Potenza di spunto (In Rush Power)	Assorbim. (mA) in mantenimento (Holding Current)	Assorbim. (mA) in spunto (In Rush Current)			Faston (F), Cavi (wires) unipolari (C)	Cavi (wires) bipolari (in mm)		TIC	NA (NO)
24V DC	*	11,8 W	/	490 mA	/	/	50%	F	/	/	✓	/
230V AC	50 HZ	11 VA	16,60 VA	48 mA	72 mA	0,64	50%	F	/	/	✓	/

Legenda (Key)		
NC	Normalmente Chiusa / <i>Normally Closed</i>	Faston IP XD
NA	Normalmente Aperta / <i>Normally Open</i>	Cavi / Wires IP 55
NB	Bistabile / <i>Latching</i>	Classe isolamento / <i>Insulation class</i> : II
GW	Glow Wire	Classe isolamento bobina / <i>Coil insulation class</i> : F
ED	Funzionamento / <i>Duty Cycle</i> = 50%	Tipo faston / <i>Faston type</i> : 6,3 × 0,8 mm

Serie Vapore

Steam Series



CARATTERISTICHE FISICHE

Corpo valvola:	PPSU; PPS
Membrana:	EPDM
Guarnizione:	EPDM
Nucleo:	Acciaio Inox
Bobine:	Classe F (155°)
Assemblaggio:	Baionetta / Doppia baionetta

PHYSICAL SPECIFICATIONS

Valve body:	PPSU; PPS
Diaphragm:	EPDM
Gasket:	EPDM
Core:	Stainless steel
Coils:	F class (155°)
Assembly:	Bayonet / Doble bayonet



CARATTERISTICHE DI LAVORO

Pressione di esercizio:	Max 15 bar
Contropressione:	Max 8 bar
Temp. ambiente:	Tu 60° C
Temperatura fluido:	Tm 140° C - ED 50%
Diametro nominale:	DN 2 mm
Comando:	NC
Direzione del fluido:	Unidirezionale
CV:	Vedi pagina successiva

WORKING SPECIFICATIONS

Working pressure:	Max 15 bar
Back- pressure:	Max 8 bar
Room temperature:	Tu 60° C
Fluid temperature:	Tm 140° C - ED 50%
Orifice:	ND 2 mm
Control:	NC
Fluid direction:	Unidirectional
CV:	See next page

CONNESSIONI ELETTRICHE

Faston 6,3 x 0,8 mm

ELECTRICAL CONNECTIONS

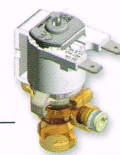
Faston 6,3 x 0,8 mm

CERTIFICAZIONI / CERTIFICATIONS



Serie Vapore

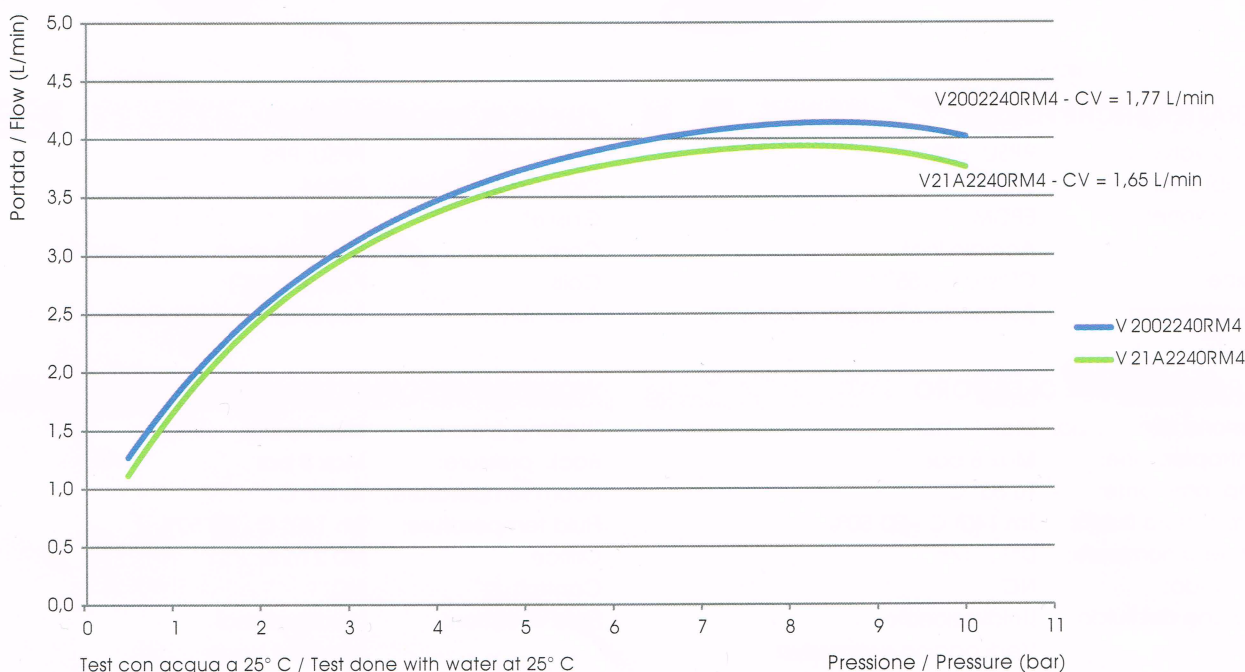
Steam Series



Modello Model	IN	OUT	M.O.Q. (pcs)	Diametro nominale Nominal diameter	Pressione di esercizio / Working pressure	Temp. Ambiente Room temp.	Temp. Fluido Fluid temp.	Certificazioni Certifications
V02	1/8" M	PG 5 mm	108	2 mm	0 - 5 bar	60° C	140° C	CSV: CE; NSF
V2002240RM4	Forchetta	Roemer 4 mm	108	2 mm	0 - 12 bar	60° C	140° C	CE; NSF
V21A2240RM4	Forchetta	Roemer 4 mm	108	2 mm	0 - 12 bar	60° C	140° C	CE; NSF
V2002260RM66	Roemer 6 mm	Roemer 6 mm	108	2 mm	0 - 12 bar	60° C	140° C	CE; NSF
V22A2260RM6	Roemer 6 mm	Forchetta	108	2 mm	0 - 15 bar	60° C	140° C	CE

Legenda / Key: Forchetta = Fork PG = Portagomma / Hose tail

GRAFICO PORTATE SERIE VAPORE / FLOW RATES CHART STEAM SERIES



Codice progress. Progress code	Tensione Voltage	Frequenza Frequency	Potenza Power		Assorbimento Consumption		cosφ	ED (funzionamento) (duty cycle)
			Potenza mantenim. / Holding Power	Potenza di spunto / In Rush Power	Assorbim. (mA) in mantenimento / Holding Current	Assorbim. (mA) in spunto / In Rush Current		
1	24 V DC	=	11,8 W	/	490 mA	/	/	50%
2	230 V AC	50 HZ	11 VA	16,60 VA	48 mA	72 mA	0,64	50%

Legenda / Key:

ED Funzionamento / Duty Cycle = 50%

Approvazioni / Approvals: ENEC, UL, GW

Faston: IP X0

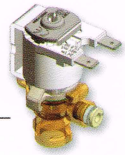
Classe isolamento / Insulation class: II

Classe isolamento bobina / Coil insulation class: F

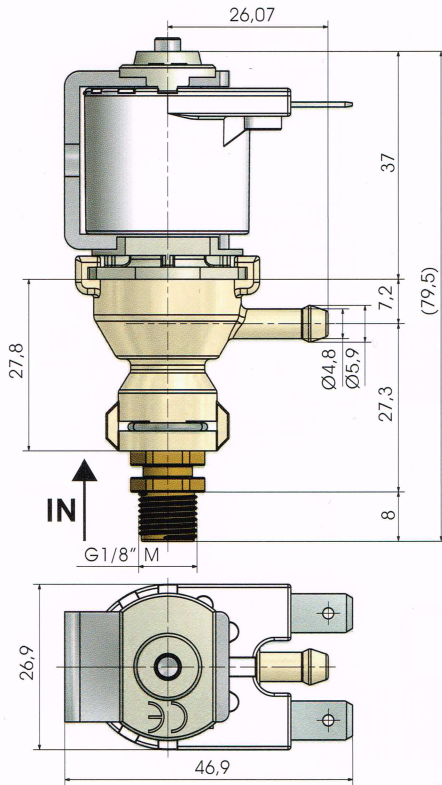
Tipo faston (Faston type): 6,3 x 0,8 mm

Serie Vapore

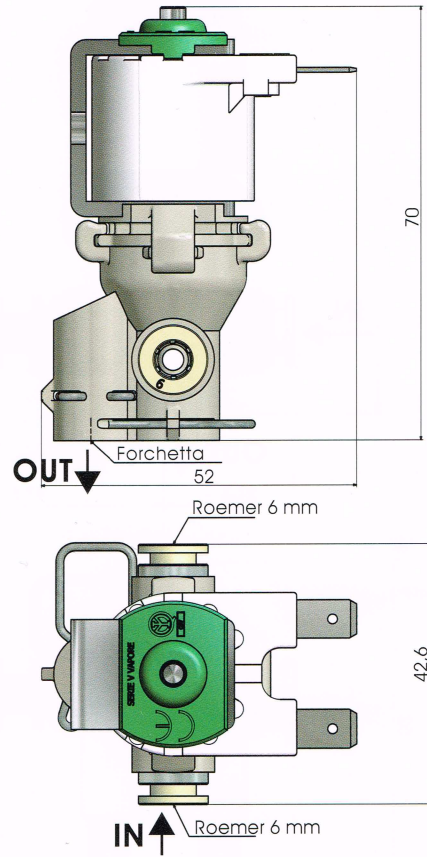
Steam Series



V 02

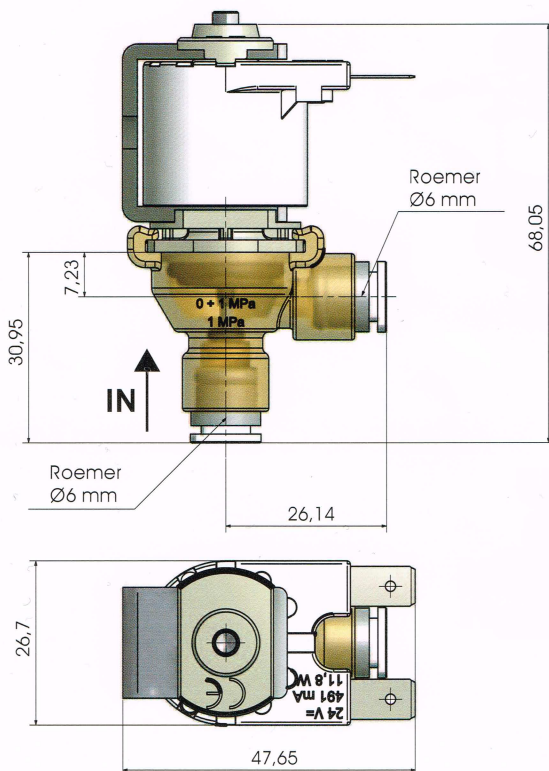


V22A2260RM6

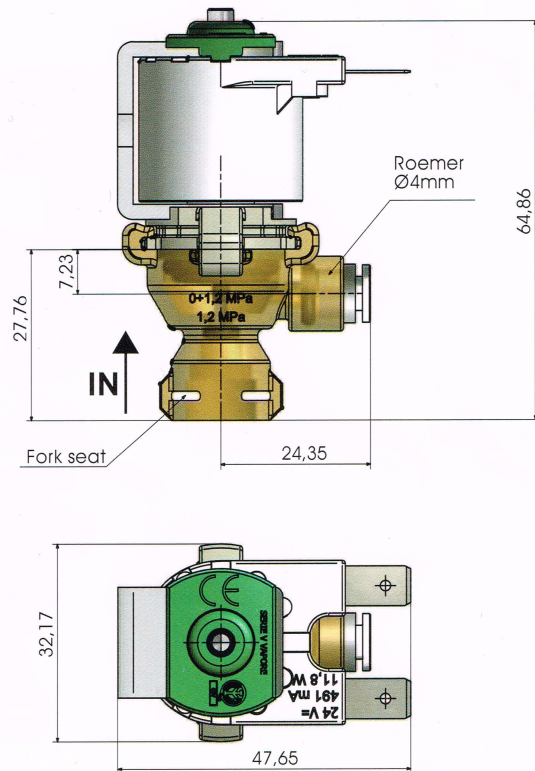


Misure in millimetri - Dimensions in millimeters

V2002660RM66

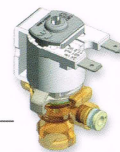


V2002240RM4

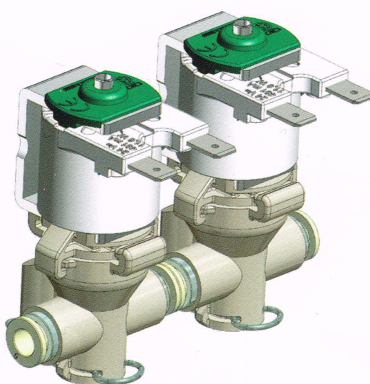
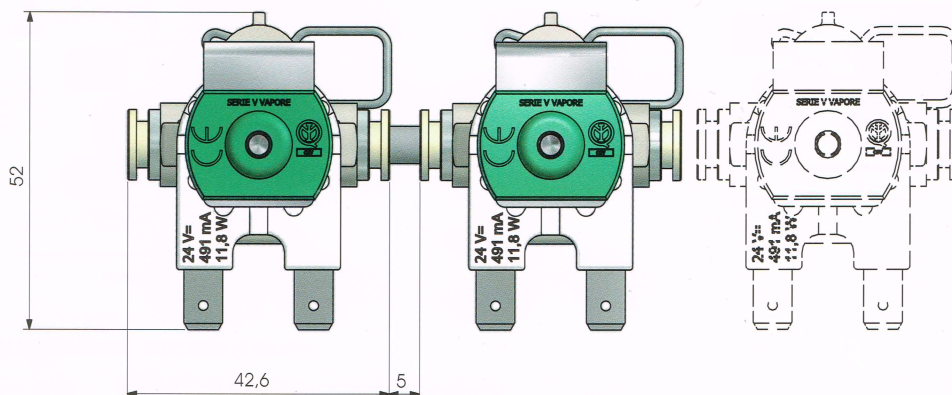
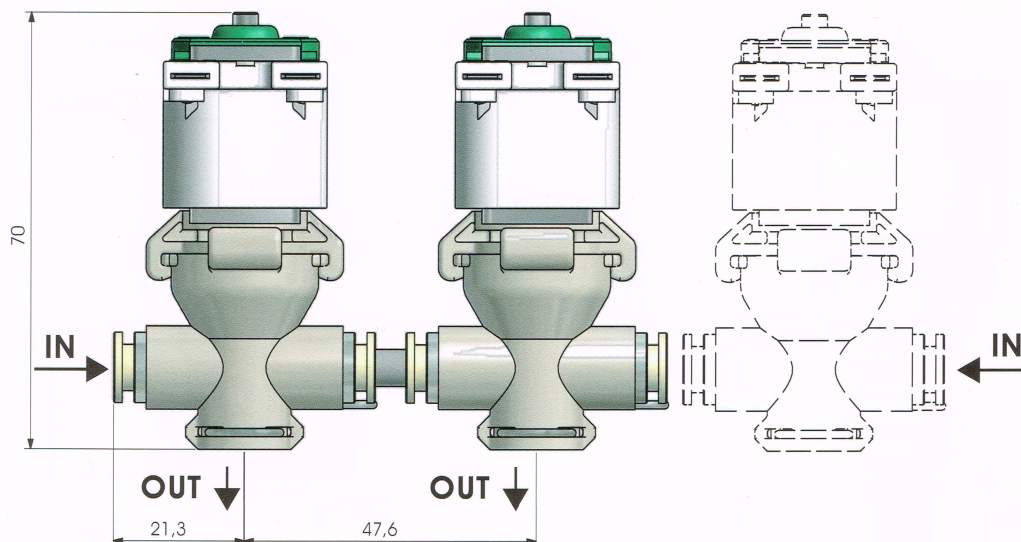


Serie Vapore

Steam Series

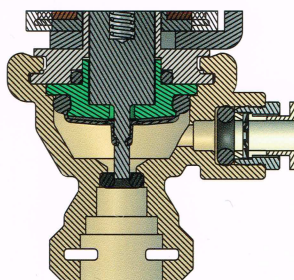


Serie vapore assemblata



Sistema auto-pulente

Self-cleaning system



Misure in millimetri - Dimensions in millimeters